

Description : ***IP67 ELECTRONIC DRIVER 320W 48V - OPTION 01

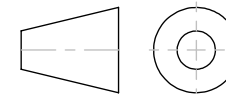
Code : AL4405

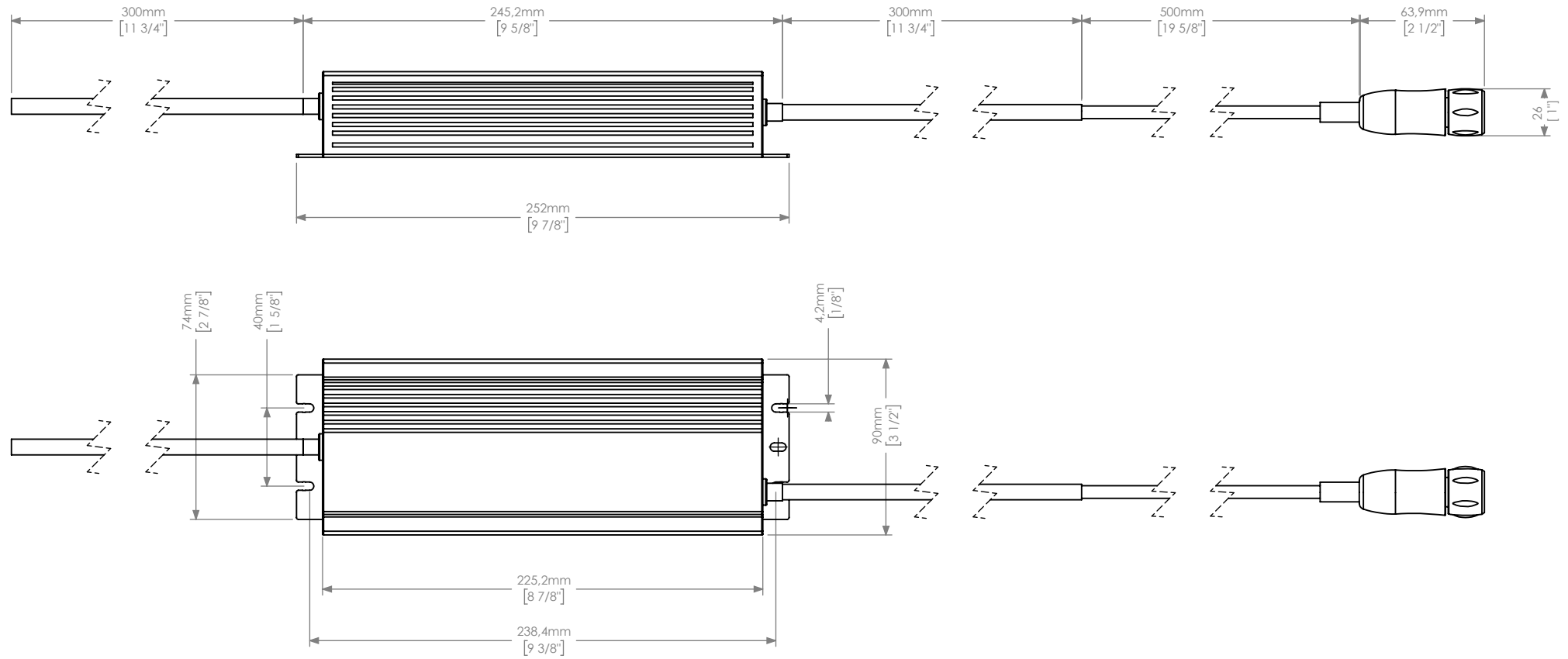
Scale : 1:3

SHEET 1 OF 2

Revision : A-01

DIMENSIONS ARE IN MILLIMETERS [BRACKETED DIMENSIONS ARE IN INCHES]





Description : ***IP67 ELECTRONIC DRIVER 320W 48V - OPTION 02

Code : AL4405

Scale : 1:3

SHEET 2 OF 2

Revision : A-01

DIMENSIONS ARE IN MILLIMETERS [BRACKETED DIMENSIONS ARE IN INCHES]

